

**MUEGGE**

POWER TO YOUR PROJECTS

## Magnetron Head MH6000S-250BF

### Compact Microwave Power Head

MUEGGE MH-Series magnetron heads offer a variety output power and configuration styles. Key features include compact designs, standard waveguide and coaxial output flanges. The MH-series also offers a wide range of options including integrated isolator, reflected output power measurement.

#### Characteristics:

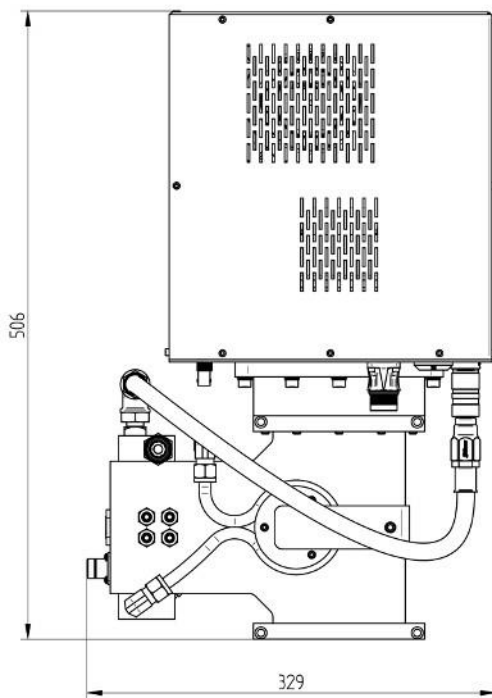
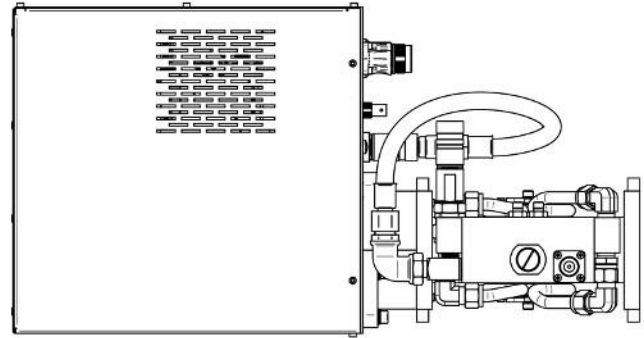
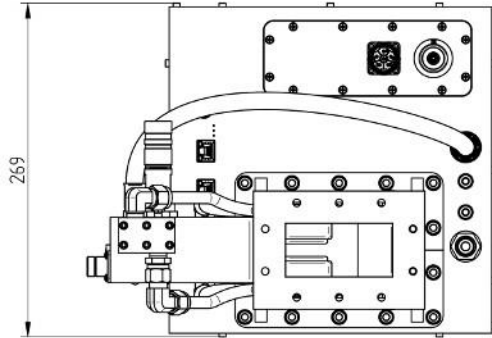
- 6000 W cw hf-output power
- 10000 W pulse hf-output power
- Compact design
- Easy mounting
- Integrated isolator
- Type of cooling: Air / Water
- Microwave output: WR340 / R26
- N-connector for monitoring of reflected power

#### Recommended system components:

- MX-series power supply, e.g. MX6000D-151KL



Exterior dimensions:





# MUEGGE

POWER TO YOUR PROJECTS

## Specifications:

<b>HF-output power:</b>	6000 W cw max. 10000 W pulse max.	<b>Cooling:</b>	Air / Water: ≥ 4 (1,06) l/min (US.gal/min), ≤ 4 (58,02) bar (psi) @ 20 - 25 (68 - 77) °C (°F)
<b>Frequency:</b>	2450 MHz ±20 MHz	<b>Assembly:</b>	Completely enclosed aluminium housing
<b>HF-output:</b>	WR340 / R26	<b>Dimensions:</b>	Compact design Width: 329 (12,95) mm (inch) Height: 269 (10,59) mm (inch) Depth: 506 (19,92) mm (inch)
<b>Magnetron:</b>	6000 W @ 2450 MHz	<b>Conditions:</b>	5°C (41°F) – 45°C (113°F) non-condensing T max. = 45°C (113°F) < 3 h / day 80% to 30 °C (86 °F), above linearly reduced to 50 % at 45 °C (113 °F)
<b>Primary power circuit</b>	-7200 DC / 1,11 A	<b>Primary heating circuit:</b>	230 / 208 V AC / 50 / 60 Hz / 0,8 / 0,76 A
<b>Primary control voltage circuit</b>	- V / - / - A	<b>Weight:</b>	Approx:23 (50,71) kg (lbs)